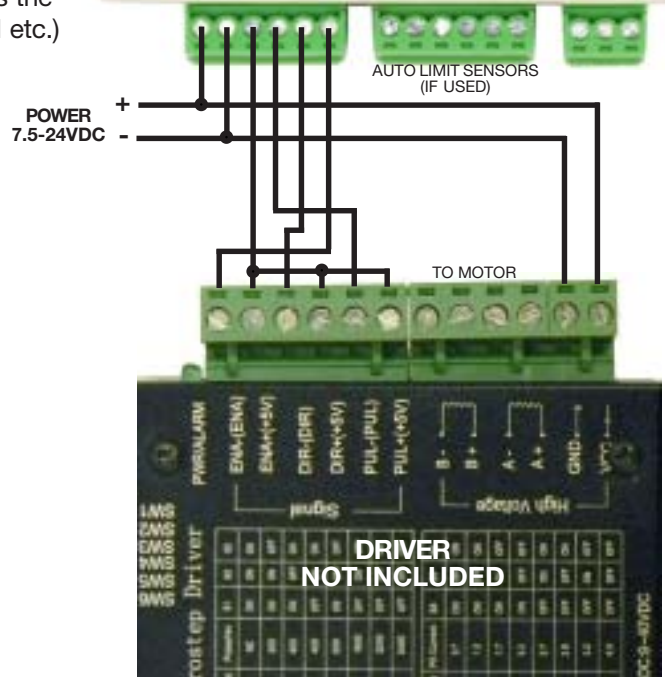


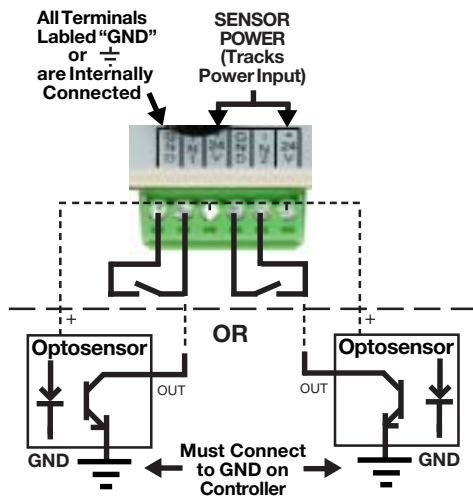
34117-MS

Mini Manual Stepmotor Controller

Mini Reversible Stepper Motor Speed & Pulse Signal Controller.
 Features: Manual speed adjust, alternate acting STOP/START, &
 Forward/Reverse Pushbutton Switches. 4 Digit Red LED Display
 Has the ability to add Auto Reversing Limit Switches/Sensors
 Power: DC 7.5-24 V (24V Nominal)
 Output Frequency: 40-200 KHZ
 Control Range: 0 ~ 998 rpm
 + 5 V & Ground (Common) Output for Optocoupled Driver Inputs
 NOTE: Motor Driver Not Included
 + Voltage & Ground available for Limit Switches/Sensors
 + Voltage (Labeled +24V on Unit) actually tracks the Input Power
 Available terminals for Auto reversing Switches or Sensors (Not
 Included) that when a Gnd. is detected at the IN terminals the
 motor will reverse (These are alternate in action IN1/IN2/IN1 etc.)
L: 3-7/8" W: 2-7/8" O/A H: 2" O/A WT: .22



CONNECTING AUTO REVERSING SWITCHES or 3 WIRE SENSORS (NOT INCLUDED)



Information obtained from or supplied by Mpja.com or Marlin P. Jones and Associates inc. is supplied as a service to our customers and accuracy is not guaranteed nor is it definitive of any particular part or manufacturer. Use of information and suitability for any application is at users own discretion and user assumes all risk.



MARLIN P. JONES & ASSOC., INC.

P.O. Box 530400 Lake Park, FL 33403
 800-652-6733 FAX 561-844-8764
 WWW.MPJA.COM